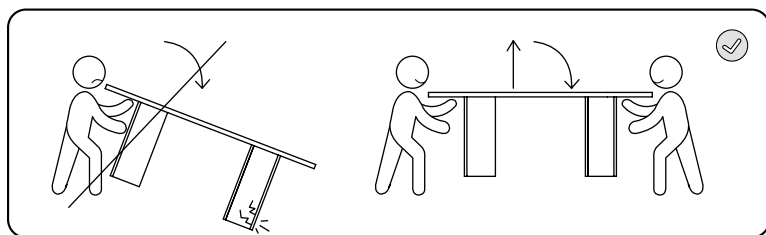
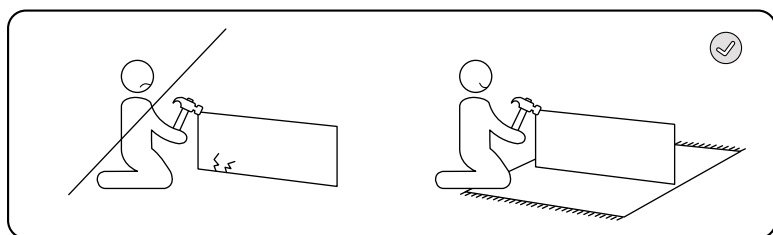
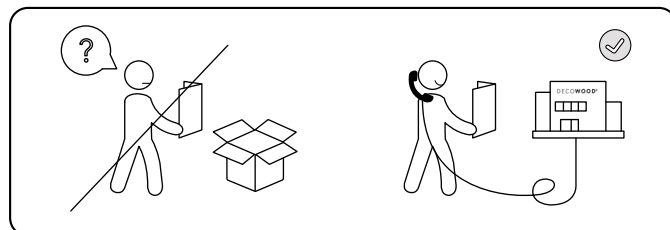
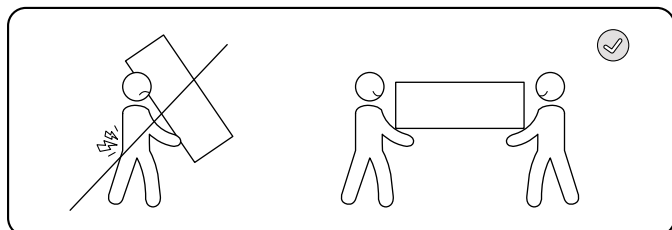


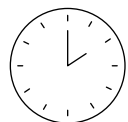
The wood tailor

MOBILIARIO SOSTENIBILE

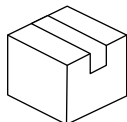


The wood tailor

MOBILIARIO SOSTENIBLE



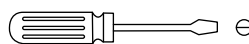
15 min



x2



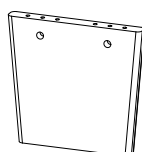
x1



x1



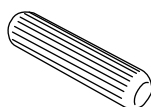
A x1



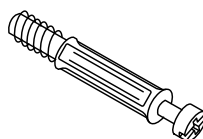
B x3



C x6
Ø15mm



D x12
Ø8x30mm



E x6
M6x40mm

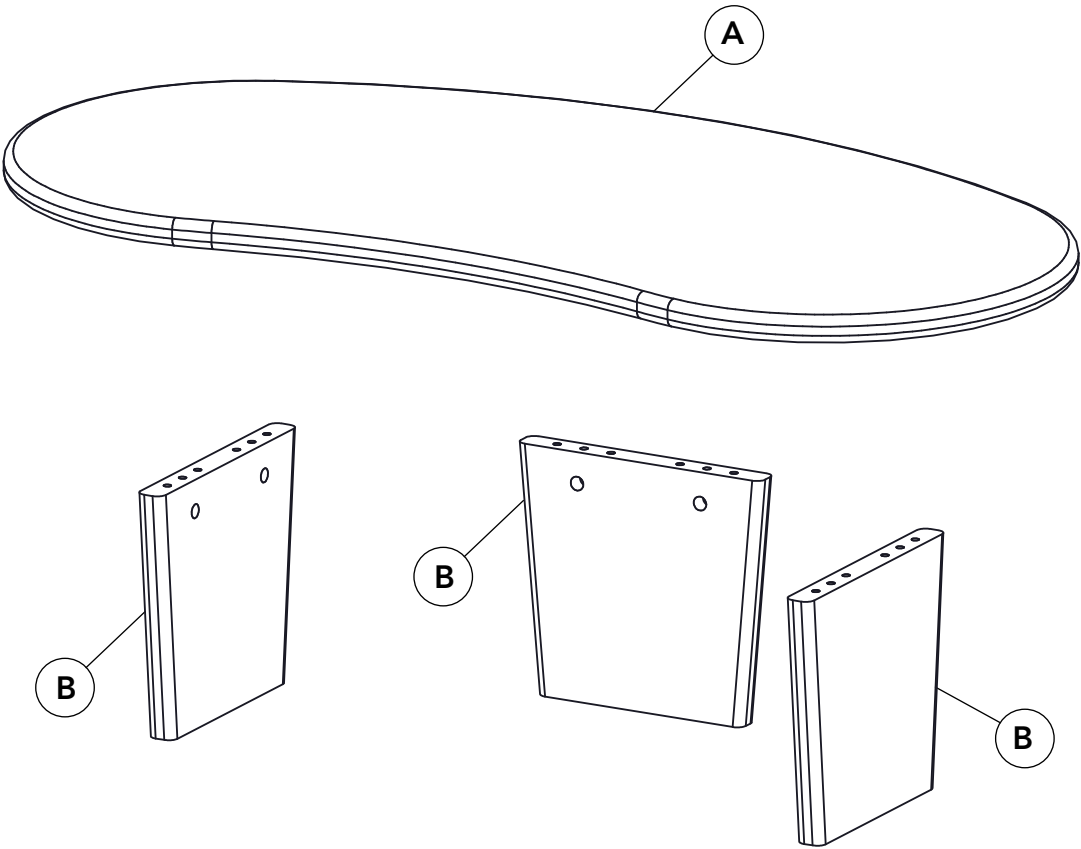


F x6

ESP: Solo para patas de microcemento.
EN: Only for microcement legs.

The wood tailor

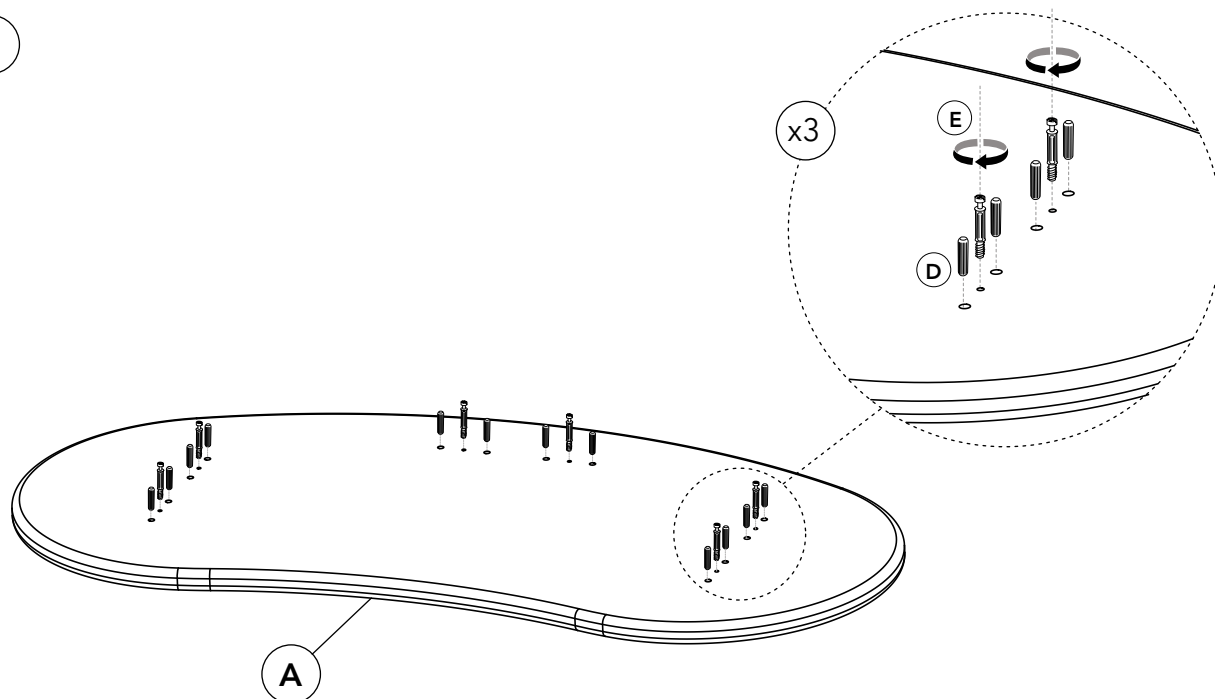
MOBILIARIO SOSTENIBLE



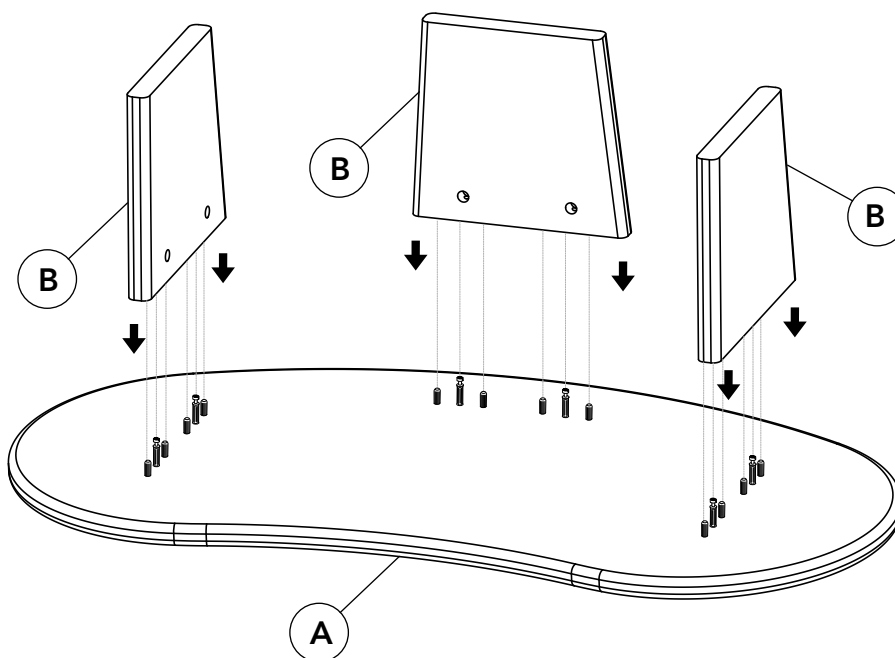
The wood tailor

MOBILIARIO SOSTENIBLE

1

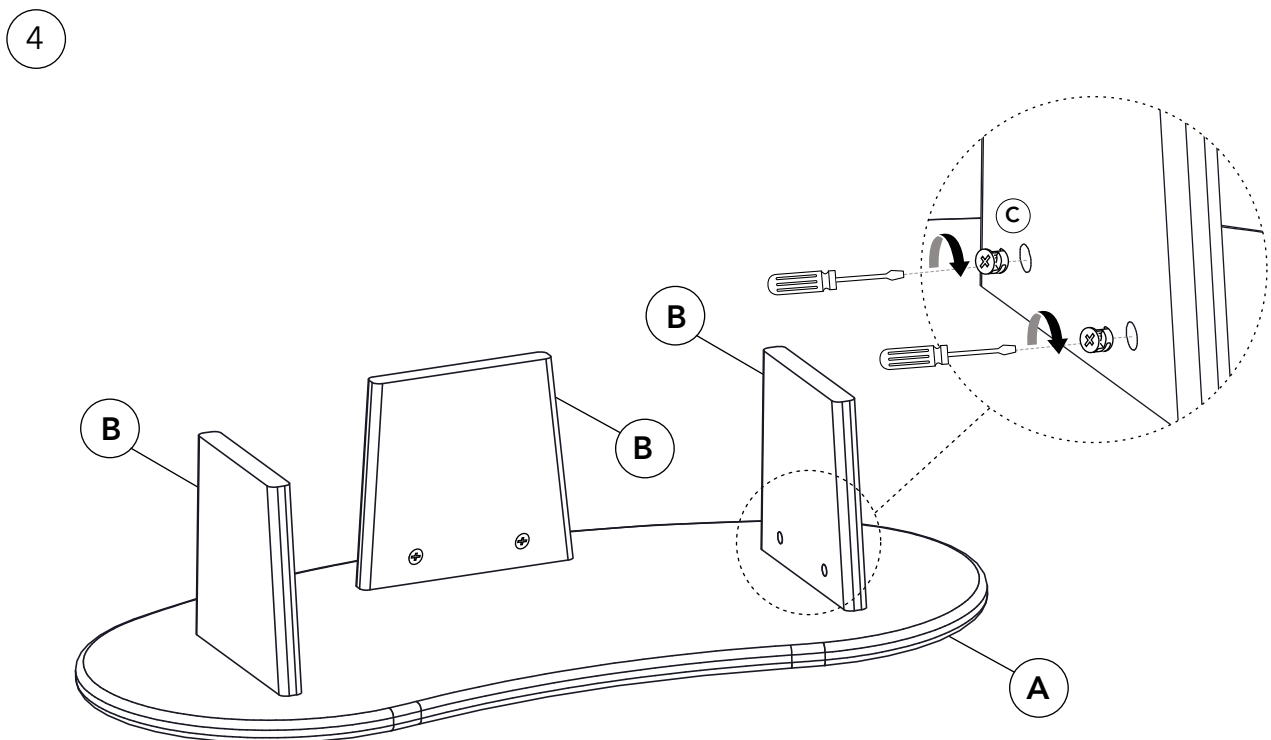
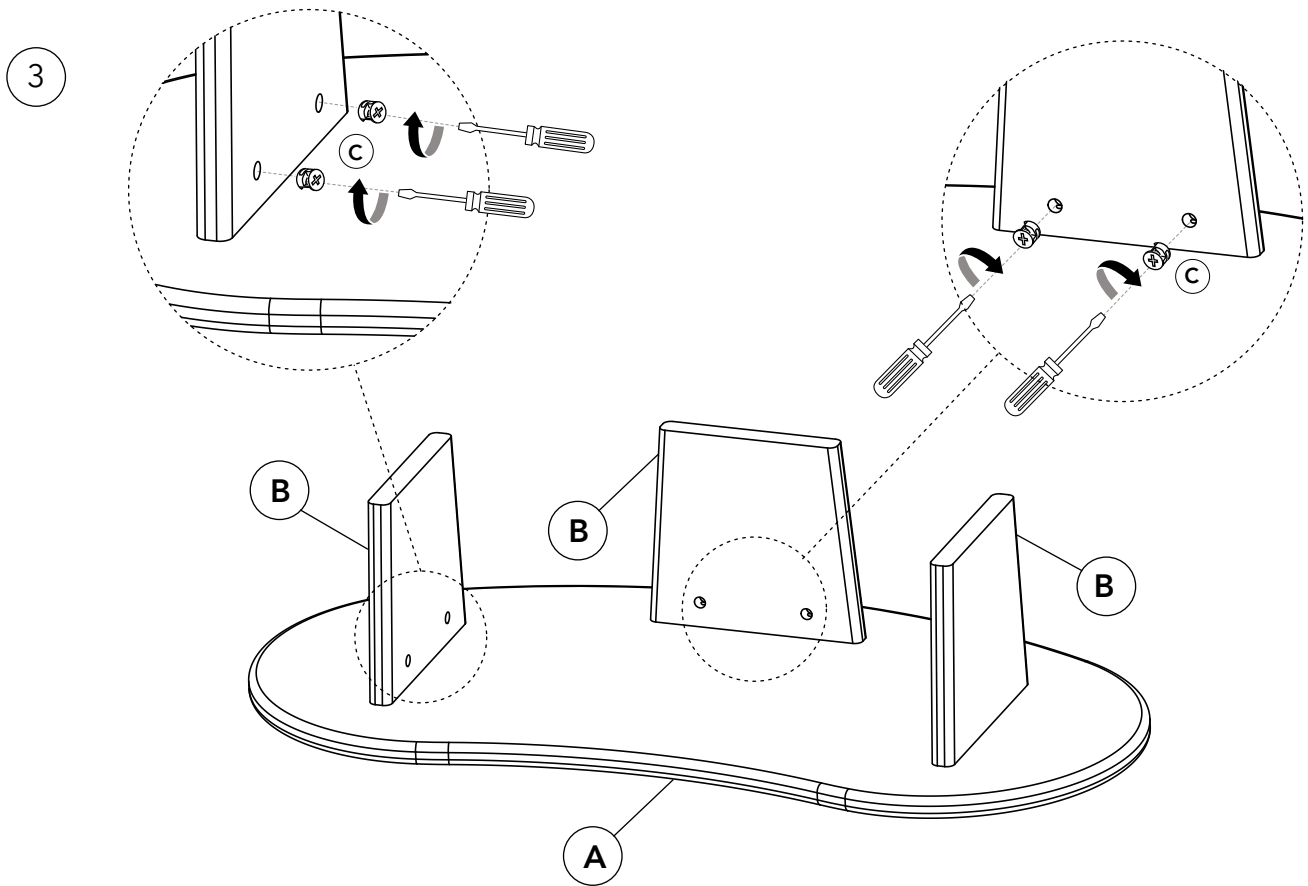


2



The wood tailor

MOBILIARIO SOSTENIBLE



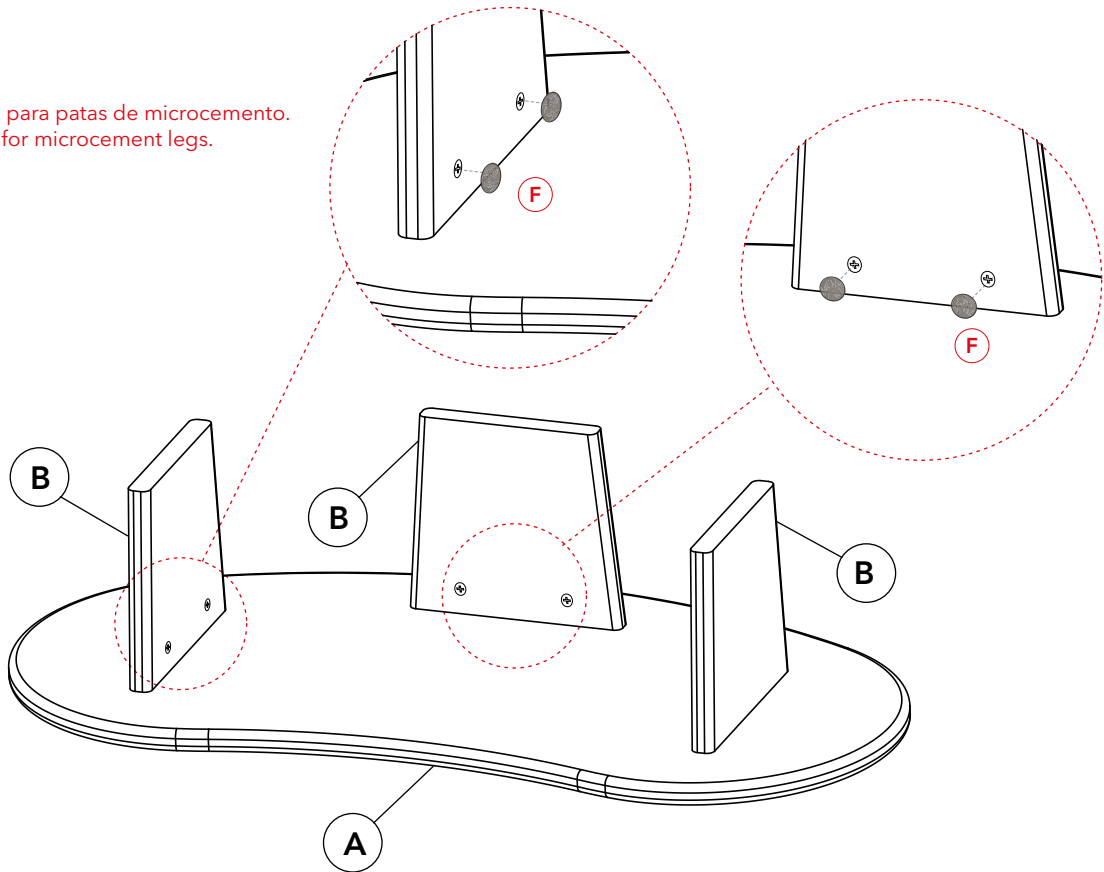
The wood tailor

MOBILIARIO SOSTENIBLE

5



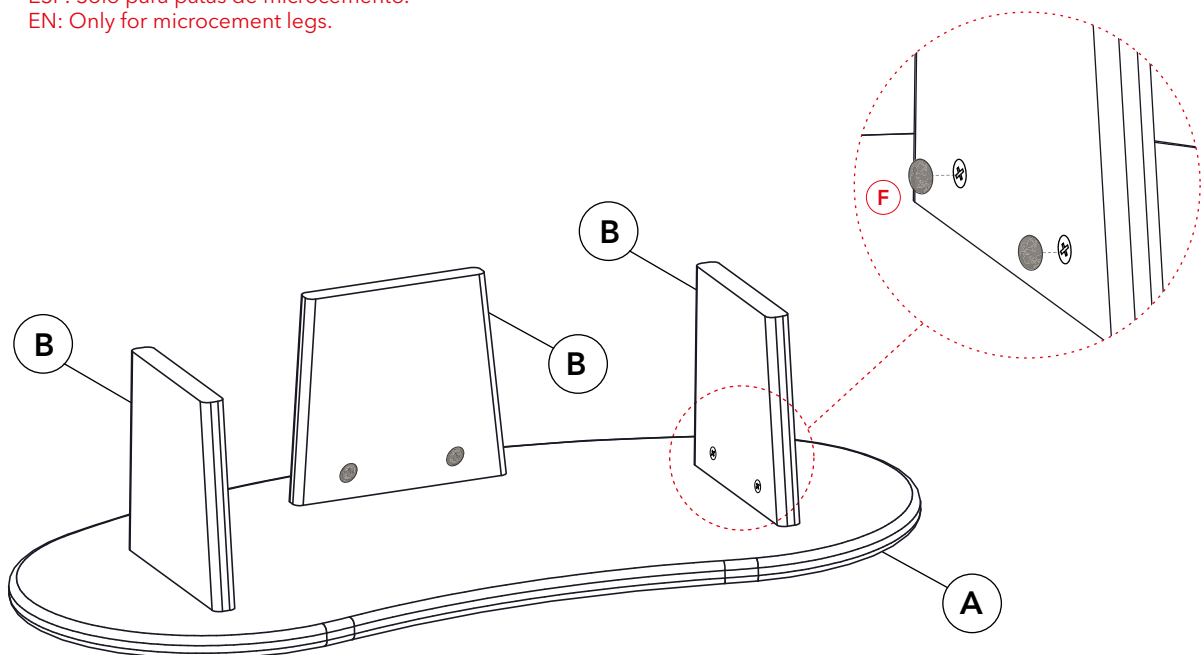
ESP: Solo para patas de microcemento.
EN: Only for microcement legs.



6

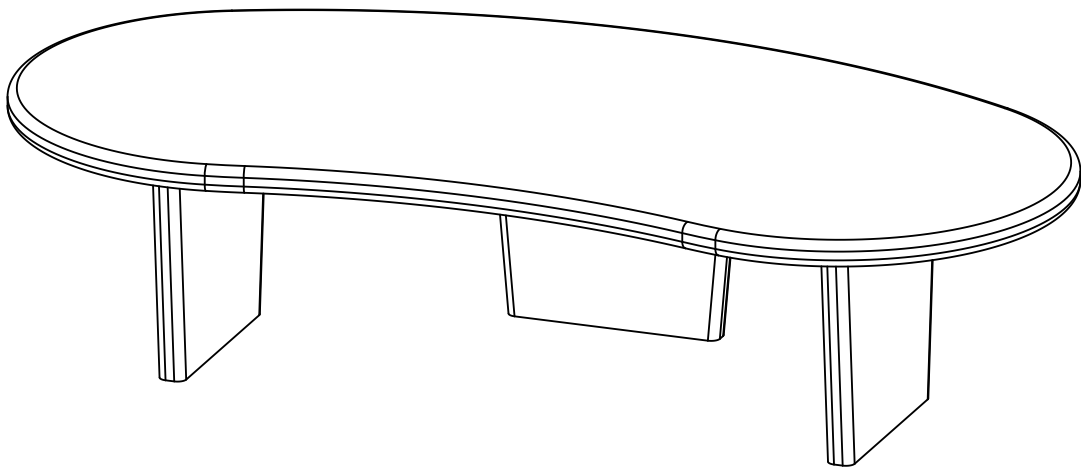


ESP: Solo para patas de microcemento.
EN: Only for microcement legs.



The wood tailor

MOBILIARIO SOSTENIBLE



The wood tailor

MOBILIARIO SOSTENIBLE

The change starts here.

